

Electromechanical Locking Solutions



Symbols



CE Rated

Complies with the requirements of the relevant European health, safety and environmental protection legislation



C-Tick Approved

Applies to electrical and electronic devices, indicating compliance with relevant labelling notices and product standards



UKCA rated

Complies with the requirements of the relevant UK health, safety and environmental protection legislation



Fire Rated

Denotes that the product has been successfully tested on fire door assemblies by independent laboratories

Table of contents



01 Side Load Locks



02 Drop Bolts

SL30 – DBL

Electronic Side Load Lock

The electronic side load lock is a motor driven electronic lock designed to secure commercial and residential double action doors.

The lock addresses the two biggest issues in door locking; the ability to align a misaligned door and the ability to release when requested, even with excessive load on the door. Reliable, secure, convenient.

Features





- Door misalignment of up to +/-8 mm is corrected
- Side load release - up to 600 kgs
- Automatic deadbolting
- Two, 10 mm thick stainless steel bolt pin
- Reverse polarity and transient protection
- Multiple attempts to lock
- Convert from Fail Safe to Fail Secure by repositioning a single jumper
- Door and bolt position monitors
- Mortice mount horizontally or vertically, on double acting doors
- Surface mount with the aid of the SL30 DBL accessories, including mounting onto glass

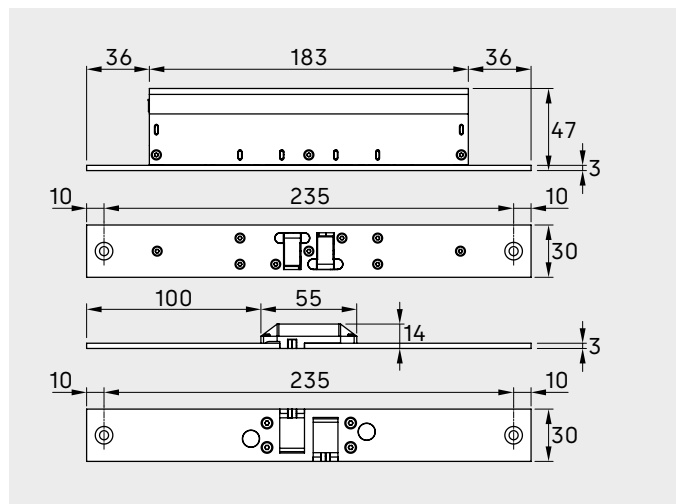
Specifications

Holding Force	10,000N (1000Kg)
Door Misalignment	+/- 8mm
Side Load Release	Up to 600kg opening load on door
Voltage at Lock	12 - 24VDC +/-15%
Current Usage	
Holding	40mA@12VDC, 25mA@24VDC
Operating	<250mA@12V, <200mA@24V
Stall	0.75A@12VDC, 0.4A@24VDC
Monitors Switches	
Bolt Position	30VDC, 0.1A
Door Position	100VDC, 0.5A
Endurance	1,000,000 cycles normal operation

Product description

Art .No

	Lock SL30DBL For use with double action doors 255L x 30W x 50D (mm)	2400001211
	SLA203H Long Square Hole Strike 255L x 30W x 14D (mm)	2400001228
	SLA204J Housing 258L x 34W x 55D (mm)	2400001229
	SLA204J Dress Plate 260L x 0.7W x 58D (mm)	2400001230



SL30 – SGL

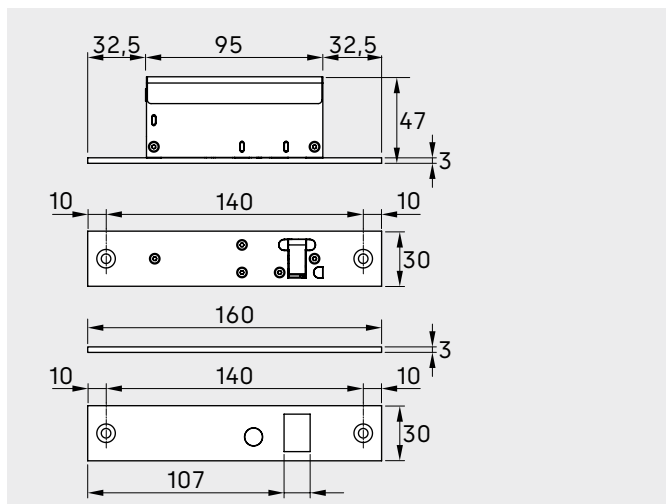
Electronic Side Load Lock

The electronic side load lock is a motor driven electronic lock designed to secure commercial and residential single action doors.

The lock addresses the two biggest issues in door locking; the ability to align a misaligned door and the ability to release when requested, even with excessive load on the door. Reliable, secure, convenient.

Features

- Door misalignment of up to +/-8 mm is corrected
- Side load release - up to 600 kgs
- Automatic deadbolting
- One, 10 mm thick stainless steel bolt pin
- Reverse polarity and transient protection
- Multiple attempts to lock
- Convert from Fail Safe to Fail Secure by repositioning a single jumper
- Door and bolt position monitors
- Mortice mount horizontally or vertically, on double acting doors
- Surface mount with the aid of the SL30 SGL accessories, including mounting onto glass



Specifications

Holding Force	10,000N (1000Kg)
Door Misalignment	8mm
Side Load Release	Up to 600kg opening load on door
Voltage at Lock	12 - 24VDC +/- 15%
Current Usage	
Holding	40mA@12VDC, 25mA@24VDC
Operating	<250mA@12V, <200mA@24V
Stall	40mA@12VDC, 25mA@24VDC
Monitors Switches	
Bolt Position	30VDC, 0.1A
Door Position	100VDC, 0.5A
Endurance	1,000,000 cycles normal operation

Product description

Art .No

	Lock SL30 SGL For use with single action doors 160L x 30W x 51D (mm)	2400001212
	SLA213H Long Square Hole Strike 160L x 30W x 14D (mm)	2400001231
	SLA214J Housing 163L x 34W x 55D (mm)	2400001232
	SLA216J Dress Plate 165L x 0.7W x 58D (mm)	2400001233

DB25 - DB25L

Electronic Deadbolt Lock

The DB25 incorporates advanced design, quality and electronic ingenuity to provide a secure, yet versatile, door locking device.

With integrated access control features and robust engineering, the DB25 is a high security streamlined lock suitable for use on any single or double acting door.

Features

- Automatic deadbolting
- 12.7mm diameter stainless steel bolt pin
- Anti-tailgate and Anti-tamper
- Auto-relock after 0/3/6/9 seconds
- Multiple attempts to lock and unlock
- Thermal overheating protection
- Reverse polarity and transient protection
- Dual monitoring with door and bolt position monitors
- Mortice mount horizontally or vertically, on single or double acting doors
- Surface mount with the aid of the DB25 accessories, including mounting onto glass

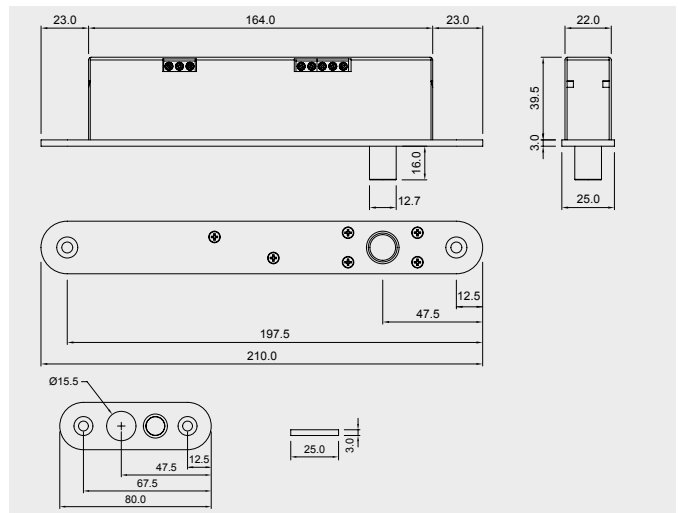
Specifications

Holding Force	10,000N (1000Kg)
Voltage at Lock	12 - 24VDC +/- 10%
Current Usage	
Holding	160mA@12V, 95mA@24V
Operating	1.25A@12V, 1A@24V
Monitors Switches	
Bolt Position	25VDC, 0.5A
Door Position	100VDC, 0.5A
Endurance	Cycle tested to 1000000 operations
Materials	Plastics: POM, Stainless Steel: 304

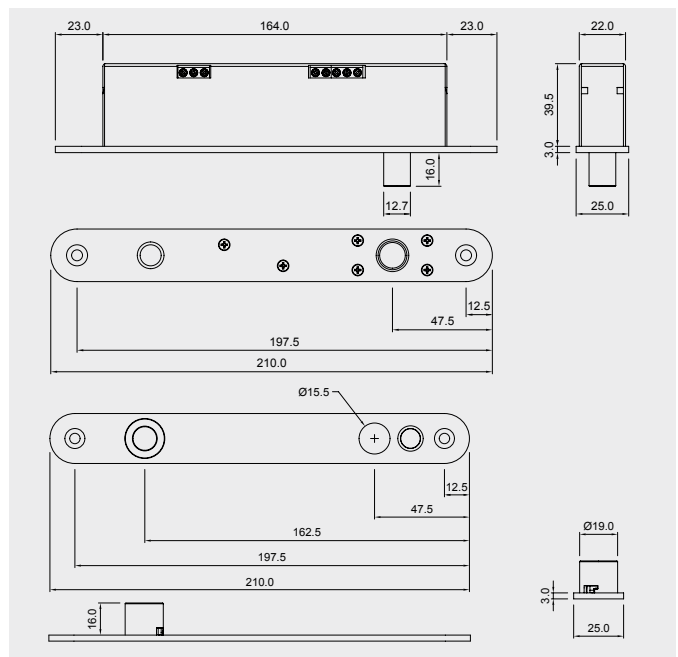
Product description

Art .No

	<p>Dropbolt Lock DB 25 For use with single or double action doors 210L x 25W x 42D (mm)</p> <p>Fail safe 2400001201 Fail secure 2400001202</p>
	<p>Dropbolt lock DB 25 L Magnetic latch to capture the door For use with single or double action doors 210L x 25W x 42D (mm)</p> <p>Fail safe 2400001205 Fail secure 2400001206</p>
	<p>DBA 103A Short strike for DB25 80L x 25W x 3D (mm) 2400001213</p>
	<p>DBA 103E Long strike for DB25 210L x 25W x 3D (mm) 2400001214</p>






DB 25



DB 25 L (Magnetic latch to capture the door)

DB25 - DB25L

Accessories

	Product description	Art .No
	DBA 104J Housing for DB25/DB25L 225L x 29W x46.5D(mm)	2400001215
	DBA 106J Dress plate for DB25/DB25L For use with single or double action doors 225L x 0.7W x 50D(mm)	2400001216
	DBA 133E Long strike with bolt for DB25L 210L x 25W x 3D(mm)	2400001217

DB25K

Electronic Deadbolt Lock

Incorporates the same advanced design, quality and electronic ingenuity as the DB25 with added flexibility of a manual key override.

Despite the addition of the key override mechanism the streamlined design is maintained allowing the DB25K to provide a high security, yet versatile door locking solution.

Features

- A Euro style key cylinder can be used to manually control the lock
- Automatic deadbolting
- 12.7mm diameter stainless steel bolt pin
- Anti-tailgate and Anti-tamper
- Auto-relock after 0/3/6/9 seconds
- Multiple attempts to lock and unlock
- Thermal overheating protection
- Reverse polarity and transient protection
- Dual monitoring with door and bolt position monitors
- Mortice mount horizontally or vertically, on single or double acting doors
- Surface mount with the aid of the DB25 accessories, including mounting onto glass

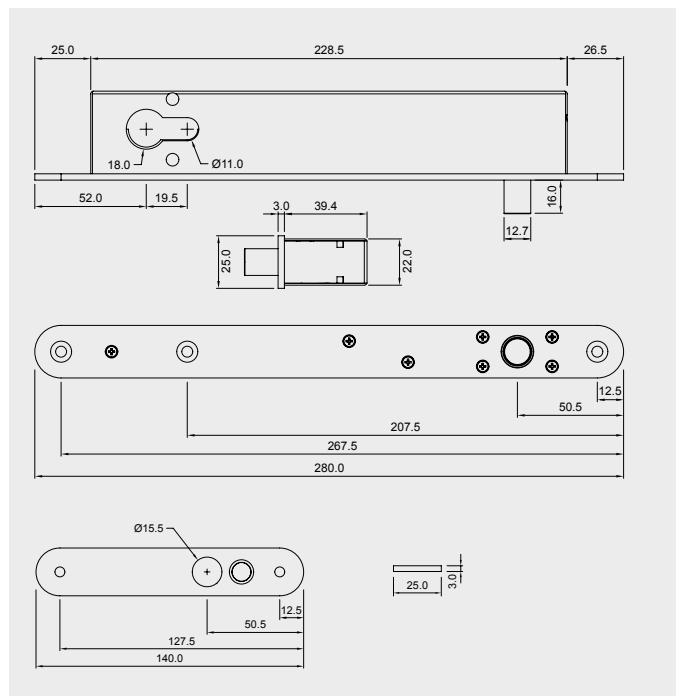
Specifications

Holding Force	10,000N (1000Kg)
Voltage at Lock	12 - 24VDC +/-10%
Current Usage Holding Operating	160mA@12V, 95mA@24V 1.25A@12V, 1A@24V
Monitors Switches Bolt Position Door Position	25VDC,0.5A 100VDC, 0.5A
Endurance	Cycle tested to 1000000 operations
Materials	Plastics: POM, Stainless Steel: 304

Product description



Art .No

	Dropbolt Lock DB 25K Euro style key cylinder to manually controlling the lock. For use with single or double action doors 280L x 25W x 42D(mm)	
	Fail safe	2400001203
	Fail secure	2400001204
	DBA 143A Short round hole strike for DB25K 140L x 25W x 3D(mm)	2400001218
	DBA 143E Long round hole strike for DB25K 280L x 25W x 3D(mm)	2400001219
	DBA 144J Housing for DB25K bolt 294L x 29W x 46.5D(mm)	2400001221



DB25K

Accessories

	Product description	Art .No
	DBA 145J Housing for DB25K strike 294L x 29W x 46.5D(mm)	2400001222
	DBA 146J Dress Plate for DB25K 294L x 0.7W x 50D(mm)	2400001220

DB38 DB38L

Electronic Deadbolt Lock

Offering the highest level of security with increased strength, primarily achieved by utilizing a larger diameter bolt pin, the DB38 is the preferred option when high physical strength is required.

Incorporating advanced design, quality and electronic ingenuity to provide a secure, yet versatile, door locking device suitable for use on any single or double acting door.

Features

- Automatic deadbolting
- 14.2mm diameter stainless steel bolt pin
- Anti-tailgate and Anti-tamper
- Auto-relock after 0/3/6/9 seconds
- Multiple attempts to lock and unlock
- Thermal overheating protection
- Reverse polarity and transient protection
- Dual monitoring with door and bolt position monitors
- Mortice mount horizontally or vertically, on single or double acting doors
- Surface mount with the aid of the DB38 accessories, including mounting onto glass

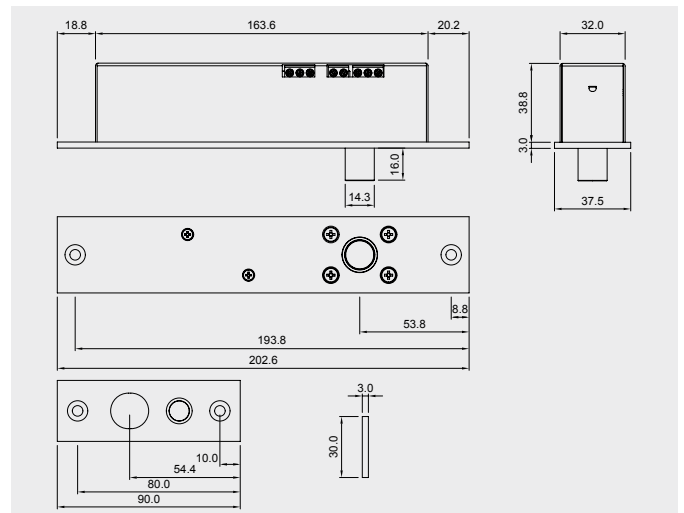
Product description

Art .No

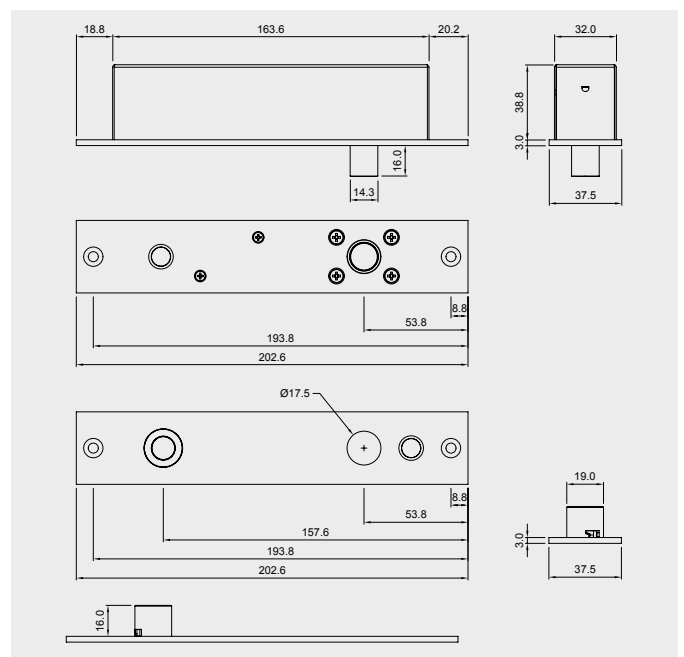
	<p>Dropbolt Lock DB 38 For use with single or double action doors 203L x 37.5W x 44D(mm)</p> <p>Fail safe 2400001207 Fail secure 2400001208</p>
	<p>Dropbolt lock DB 38 L Magnetic latch to capture the door For use with single or double action doors 203L x 37.5W x 44D(mm)</p> <p>Fail safe 2400001209 Fail secure 2400001210</p>
	<p>DBA 173C Short Round Hole Strike for DB38 90L x 30W x 3D(mm) 2400001223</p>
	<p>DBA 173G Long round hole strike for DB38 203L x 37.5W x 3D(mm) 2400001224</p>

Specifications

Holding Force	20,000N (2000Kg)
Voltage at Lock	12 - 24VDC +/-10%
Current Usage	
Holding	230mA@12V, 90mA@24V
Operating	1.5A@12V, 1.4A@24V
Monitors Switches	
Bolt Position	25VDC,0.5A
Door Position	100VDC, 0.5A
Endurance	Cycle tested to 1000000 operations
Materials	Plastics: POM, Stainless Steel: 304






DB 38



DB 38 L (Magnetic latch to capture the door)

DB38 DB38L

Accessories

	Product description	Art .No
	DBA174J Housing for DB38/DB38L 206L x 41W x 49D(mm)	2400001225
	DBA176J Dress Plate for DB38/DB38L 210L x 0.7W x 50D(mm)	2400001226
	DBA183G Long round hole strike for DB38L 203L x 37,5W x 19D(mm)	2400001227

Our Sustainability Commitment

We are committed to foster a sustainable development along our entire value chain in line with our economic, environmental and social responsibilities toward current and future generations. Sustainability at product level is an important, future-oriented approach in the field of construction. In order to give quantified disclosures of a product's environmental impact through its entire life cycle, dormakaba provides Environmental Product Declarations (EPD), based on holistic life cycle assessments.

<https://www.dormakaba.com/gb-en/sustainability>



Door
Hardware



Electronic
Access & Data



Mechanical
Key Systems



Lodging
Systems



Entrance
Systems



Service



Safe
Locks

dormakaba UK & Ireland
Wilbury Way
Hitchin, Herts
SG4 0AB
T: 01462 477600
E info.gb@dormakaba.com